

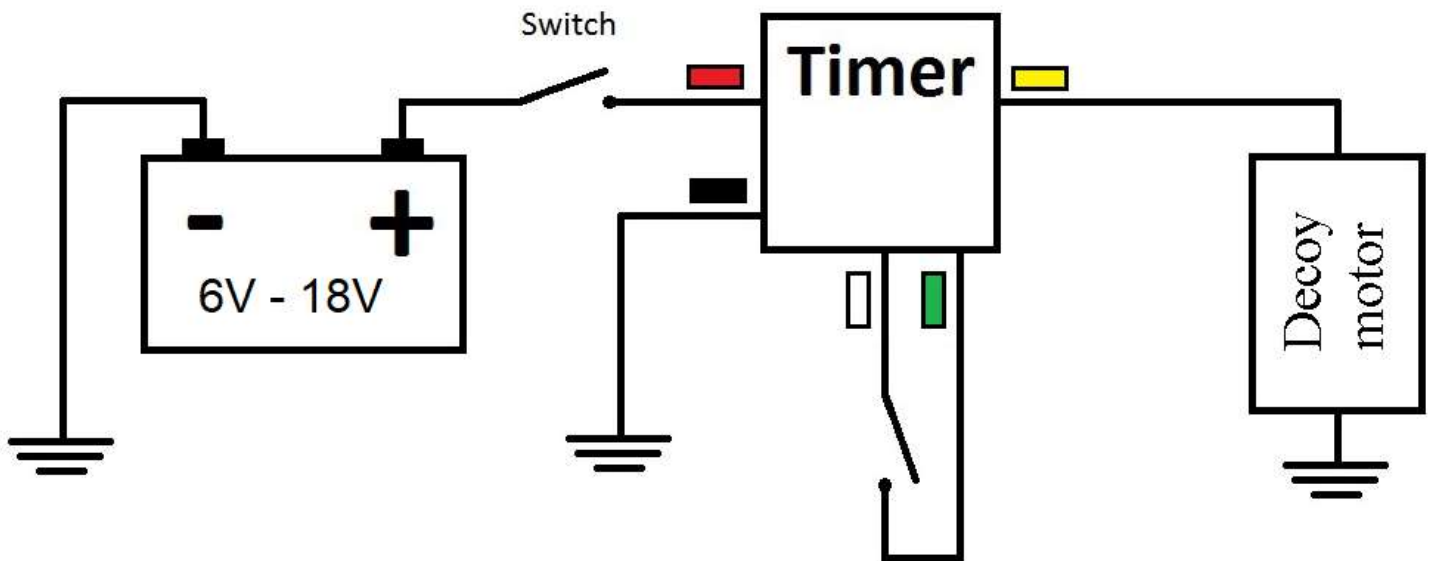
Decoy Timer.

Decoy timer can be connected to any 6V to 18V motorized decoys to add more realistic real-life motion. The timer configured with up to 100 ON/OFF time points. A single button is used to configure the decoy timer. Reprogram the timer as many times as necessary to better suit hunting environment and decoy.

*** For up to date installation instructions and videos visit www.bit.ly/timer20

Watch YouTube video: <https://youtu.be/g8LhkRTKiGI>

Please read the entire manual before connecting and configuring Decoy Timer.



Connect the decoy timer according to the diagram.

To configure timer:

1. Short WHITE and GREEN wires together (or push button connected to WHITE and GREEN wires), and then supply power to the timer. Decoy will turn ON for a moment. Disconnect WHITE and GREEN wires or release the button.
2. Push and release configuration button (or short WHITE and GREEN wires together) as you want for the decoy to run. For example, if you want decoy to run 3sec-ON, 6sec-OFF, 1sec-ON and 10sec-OFF : push button for 3 seconds, release and wait for 6 seconds, push for 1 second, release for 10seconds, push the button again and then disconnect power.