

Retained Accessory Power Module with configuration via phone or laptop.

!!! Warning !!!

DO NOT return the item to the original retailer. Contact the support for any problem with the item or item delivery.

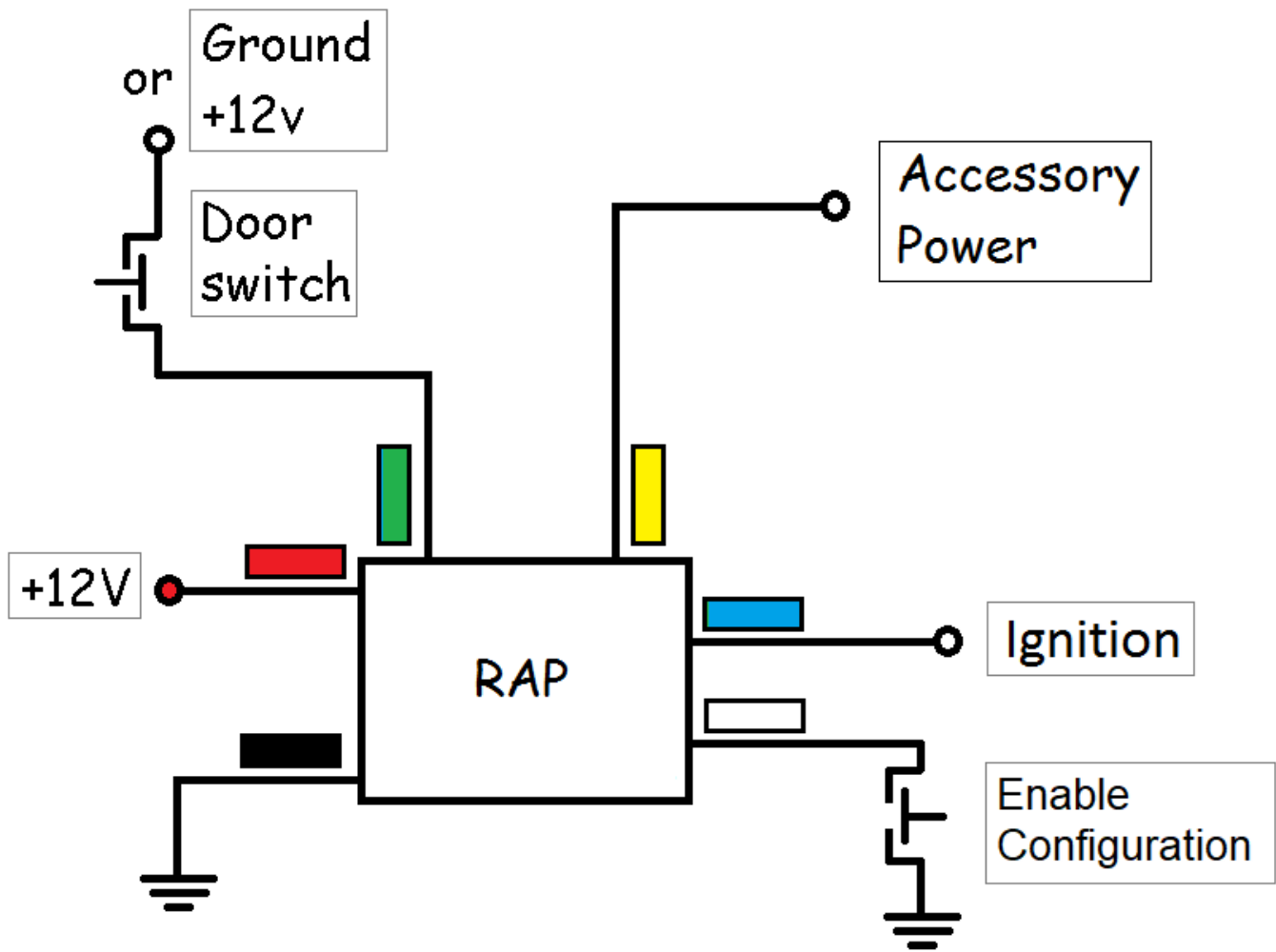
timersshop@gmail.com

Retained Accessory Power Module provides a 20 minutes power shutoff delay after the ignition is turned off. The delay is canceled as soon as the door is open. The power shutoff delay is adjustable from 1 to 59 minutes. The module works with both ground and power controlled doors. The configuration is done via phone or laptop.

*** For up to date installation instructions and videos visit www.bit.ly/timer20

Please read the entire manual before connecting and configuring the Retained Accessory Power Module.

Installation:



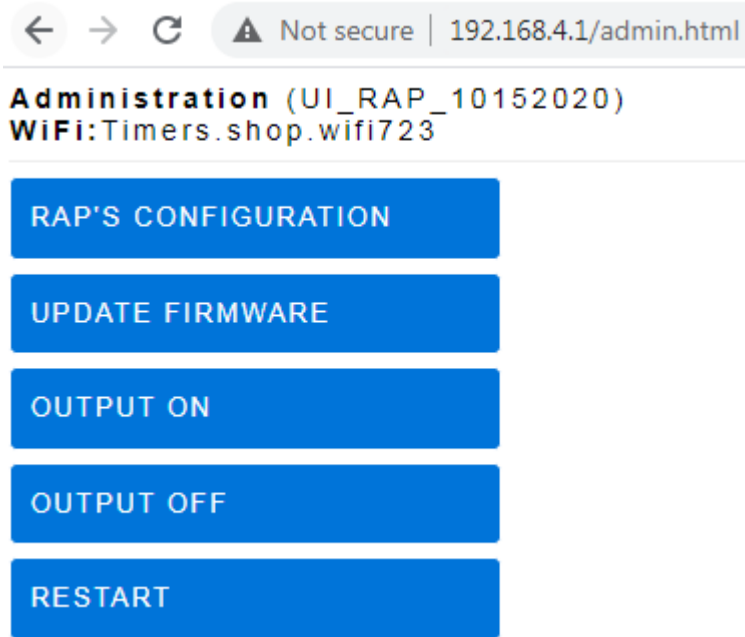
- RED – Constant power.
- BLACK – Ground.
- GREEN – To the door.
- BLUE – Ignition.
- YELLOW – Accessory power.
- WHITE – Enable Wi-Fi.
- ORANGE – Not used.

Connect the module based on the diagram above.

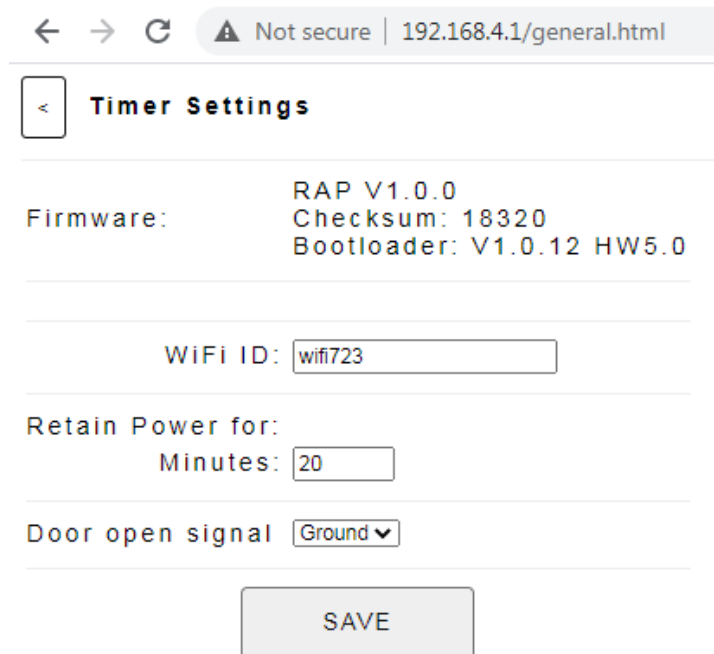
Configuration:

Module configuration is done by connecting a computer or a smartphone to the module:

1. Search for the available Wi-Fi networks on your computer/phone.
2. Connect computer/phone to the “Timers.shop” wireless network.
3. Open browsers and enter the following into the address bar: 192.168.4.1 and connect.
4. Once connected you will be presented with the following menu:



5. Click on RAP'S CONFIGURATION link and make necessary changes.



Get support at <http://timers.shop>

6. Once you make the necessary configurations click SAVE. Go back to the Administration menu and click RESTART to test the newly updated configuration.