

## *Retained Accessory Power Module.*

**!!! Warning !!!**

**DO NOT** return the item to the original retailer. Contact the support for any problem with the item or item delivery.

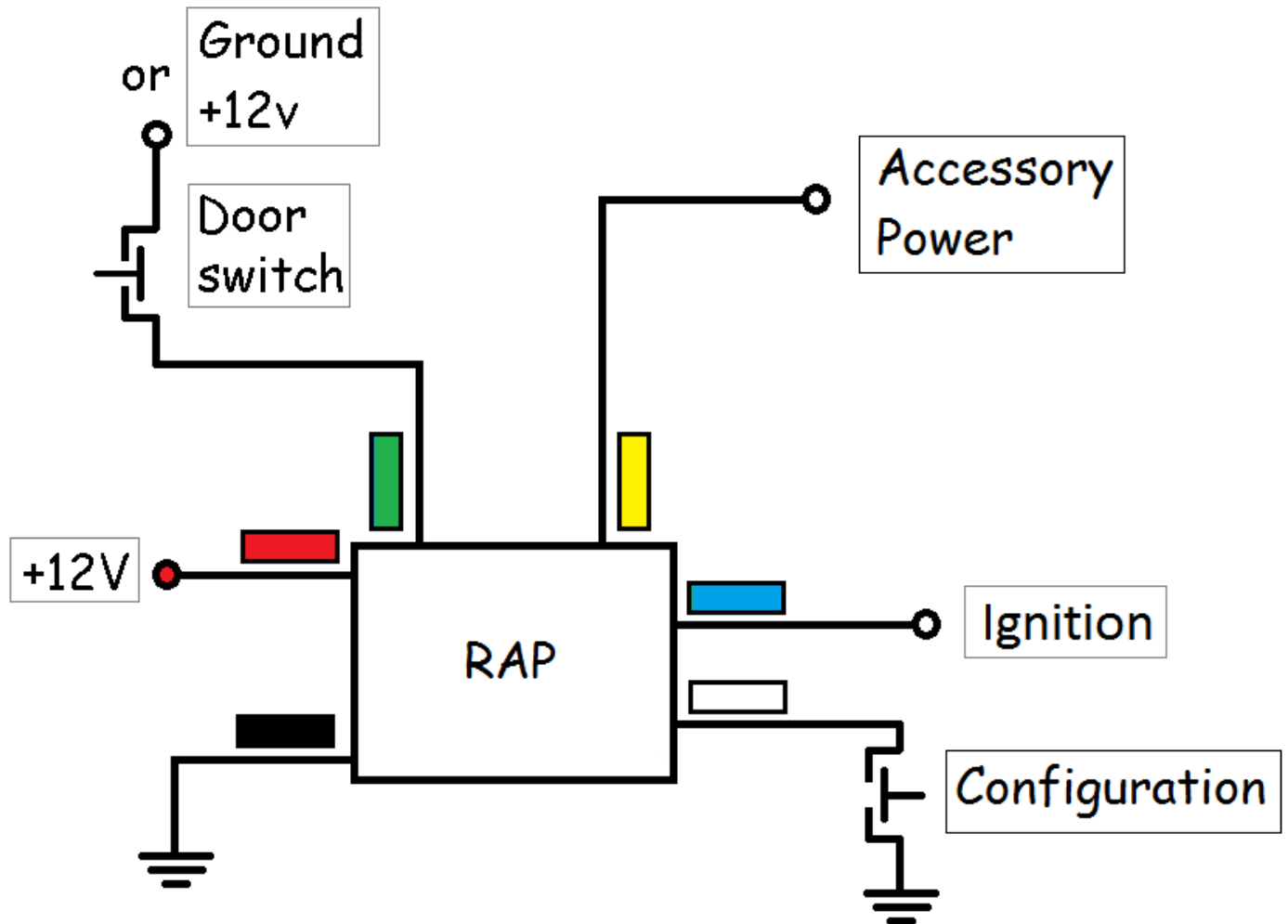
**[timersshop@gmail.com](mailto:timersshop@gmail.com)**

*Retained Accessory Power Module* provides a 20 minutes power shutoff delay after the ignition is turned off. The delay is canceled as soon as the door is open. The module works with both ground and power controlled doors.

\*\*\* For up to date installation instructions and videos visit [www.bit.ly/timer20](http://www.bit.ly/timer20)

Please read the entire manual before connecting and configuring the Retained Accessory Power Module.

## Installation:



RED – Constant power.  
BLACK – Ground.  
GREEN – To the door.  
BLUE – Ignition.  
YELLOW – Accessory power.  
WHITE – Change door configuration.

Connect the module based on the diagram above.

## **Configuration:**

The module is preconfigured for the Ground door operating switch. If the car door switch is operated by Power then follow the steps below.

1. Do not connect the power. Connect White to the ground and then supply power.
2. The output power will be supplied by Yellow wire twice in a short burst. Two bursts indicate the door input is configured for Power.
3. Disconnect White from the ground and insulate. Recycle power and test.
4. To switch back to Ground control repeat the steps above. The one burst of power indicates the door input is configured for Ground.