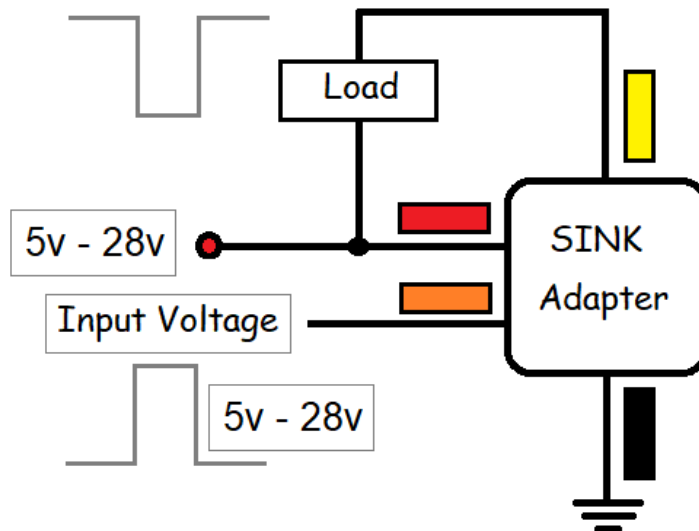


DC Positive to Sink Adapter.

!!! Warning !!!
DO NOT return the item to the original retailer. Contact the support for any problem with the item or item delivery.
timersshop@gmail.com

The sink adapter converts positive 5V-28V into the Sink (connecting to the ground) output. The output capable of sinking up to 10 amp of current. Connect the adapter according to the diagram.



*** For up to date installation instructions and videos visit www.bit.ly/timer20