

Dome Light Dimmer.

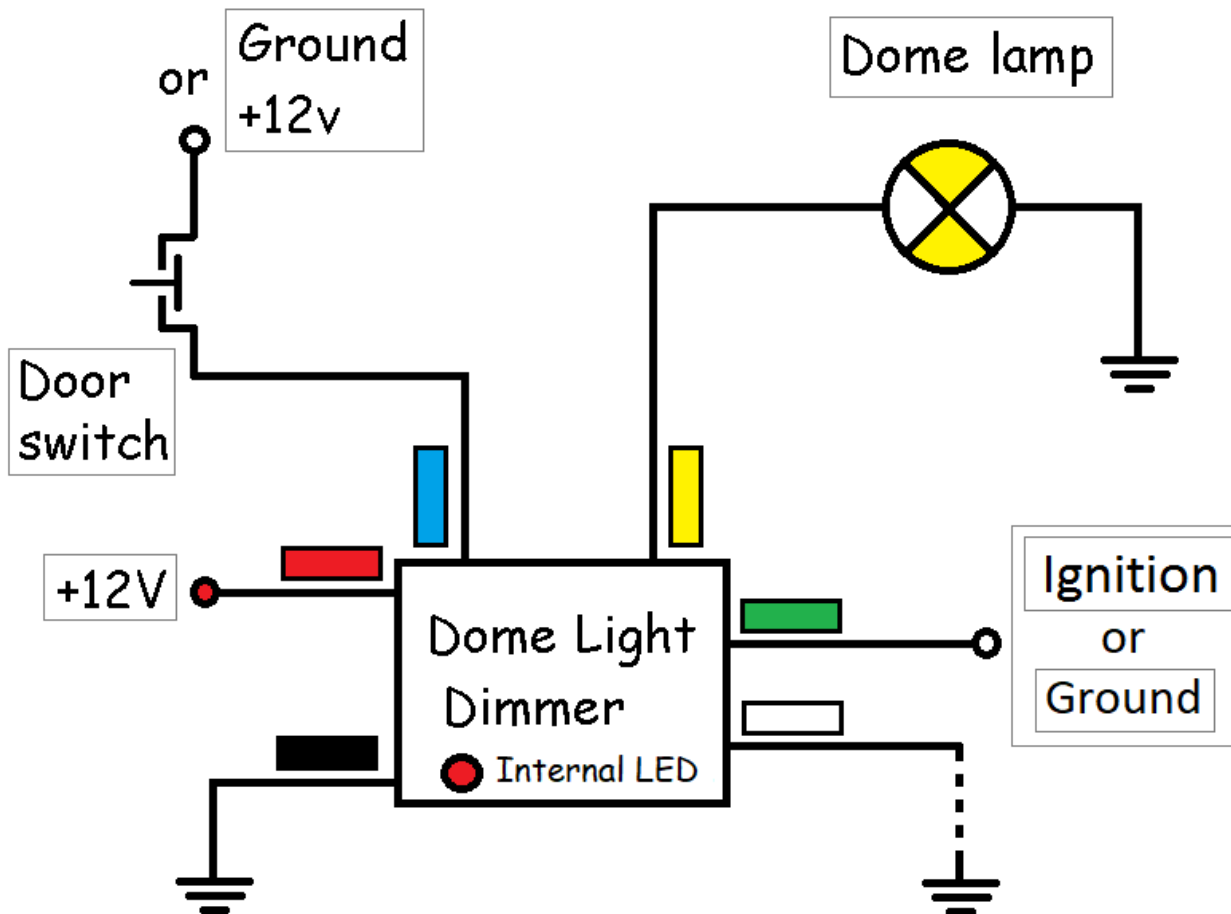
!!! Warning !!!
DO NOT return the item to the original retailer. Contact the support for any problem with the item or item delivery.
timersshop@gmail.com

Dome Light Dimmer is a smart circuit which adds several modern features to the basic dome light. It provides modern car functionality to the dome light by slowly dimming the light after 20 seconds when the door is closed and slowly increasing the light intensity when the door is opened. It monitors ignition and if ignition turned on the light fades as soon as the door is closed. If door left open the light shuts off after 10 minutes of inactivity.

Dome Light Dimmer is universal and works with either Ground or Positive door switches so it fits any car. It is very small and easy to install. It provides upto 10 amp of current and will work with both LED and incandescent lights. It can be used with either positive or sink light circuit making it truly universal.

*** For up to date installation instructions and videos visit www.bit.ly/timer20

Please read the entire manual before connecting and configuring Dome Light Dimmer.



Connect dome light dimmer according to the diagram.

If the door switch connects to the Ground then do not connect the *White* wire and just isolate it with electrical tape. If the door switch connected to positive +12V, connect *White* wire to the Ground. (*If you change the White wire connection you will need to recycle power for the Dimmer to properly register it*).

If you do not know how your door switch is connected, then do not connect *White* wire at first. If you find the light turns ON when the door is closed instead of open, then connect *White* wire to the Ground to reverse the operation logic.

The red wire should be connected to constant power.

Dome light controller has an internal LED connected in parallel to the output. The internal LED should light up when the module supplying power to the light.

If the dimmer is not going to be connected to the Ignition, connect *Green* wire to the ground.

FOR NEGATIVE (SINK) LIGHT CONTROL.

If the dome light is connected to constant power and controlled by the ground, then use the provided SINK adapter connecting it according to the diagram below.

